

# PROACT.®

**REFERENCE :** PA647

**SIZES :** U

**COMPOSITION :**

Main material : PE quality For 5 of the 20 domes. 100% polyethylene

Main material : PE quality For 5 of the 20 domes. 100% polyethylene

Main material : PE quality For 5 of the 20 domes. 100% polyethylene

Material 4 : PE quality For 5 of the 20 domes. 100% polyethylene

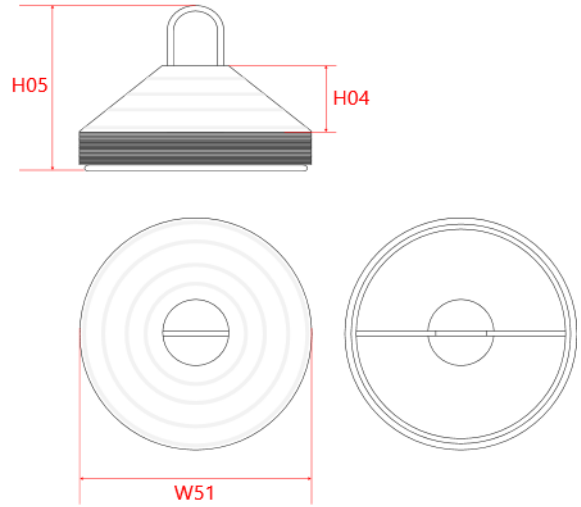
Material 2 : Metal quality For the base where put the domes. 100%metal

**TECHNICAL DETAIL :**

Elimination kit 20

**ARTICLE WEIGHT :**

675 gr/pc



DESCRIPTION	
<b>Français :</b>	Kit de délimitation x 20
<b>English :</b>	Elimination Kit 20
<b>Nederlands :</b>	Elimination kit 20
<b>Deutsch :</b>	Markierungsset x 20
<b>Español :</b>	Kit de 20 discos de entreno
<b>Italiano :</b>	Kit di cinesini x 20
<b>Português :</b>	Kit de delimitação x 20

COLORS	PANTONE SERIGRAPHIE
Red / Yellow / R.blue / White	185C / YellowC / 287C / White

MEASUREMENT	
Description	U
<b>H05</b> Hauteur totale / Total height	13,30
<b>W51</b> Total width	18,70
<b>H04</b> Height of each single dome	4,90

PACKING	
Box	10 pcs / box Size => L:38cm W:38cm H:65cm GW:9Kg NW:7Kg